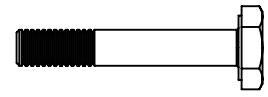


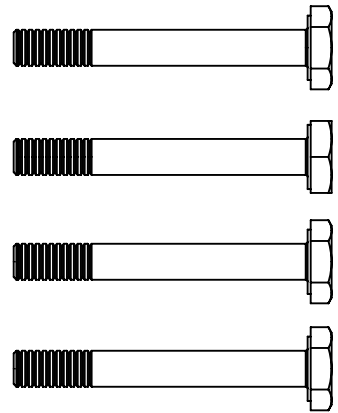
E00-2305 - 1 EA.
AN3-11A 3/16 X 1 1/8 BOLT

ROD END, FEMALE /
SCISSOR BEAM (PILOT)



E00-2320 - 4 EA.
AN3-14A 3/16 X 1 1/2 BOLT

FOOT PEDAL / FOOT PEDAL
WELDMENT



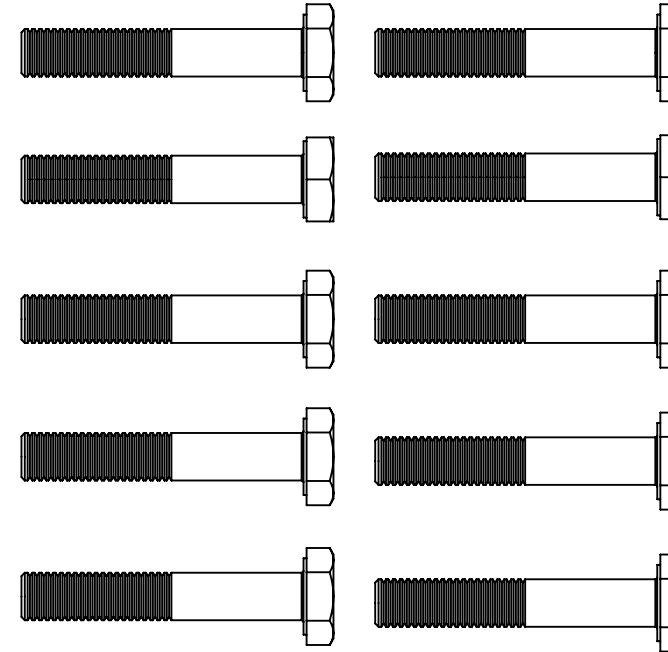
E002308 - 2 EA.
AN3-15A 3/16 X 1 5/8 BOLT

CYCLIC STICK / CYCLIC CLEVIS



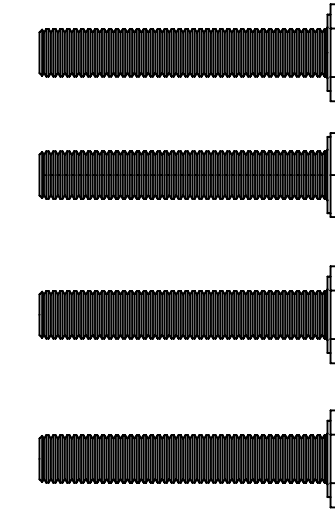
E00-2406 - 10 EA.
AN4-11A 1/4 X 1 1/8 BOLT

2EA. SCISSOR BEAM PIVOT
4 EA. ROD END / PEDALS
4 EA. ROD END / SCISSOR BEAM



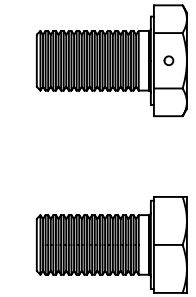
E00-2408 - 4 EA.
NAS428-4-14 1/4-28 x 1 1/2 BOLT

SCISSOR BEAM STOP BOLTS

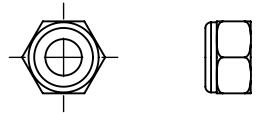


E00-2501 - 2 EA.
AN5H4A 5/16 X 1/2
DRILLED HEAD

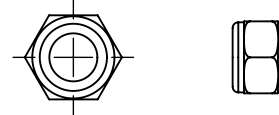
AIRFRAME / FOOT PEDAL
CROSS SHAFT



E00-3301 - 7 EA.
NUT, SELF LOCKING,
NONMETALIC INSERT,
10-32, AN365-1032A /
MS20365-1032A

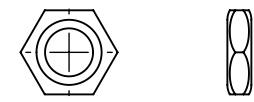


E00-3402 - 10 EA.
NUT, SELF LOCKING,
NONMETALIC INSERT,
1/4-28, AN365-428A /
MS20365-428A

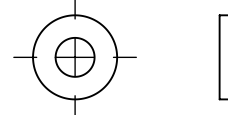


E00-3401 - 12 EA.
AN316-4R 1/4 HEX JAM NUT

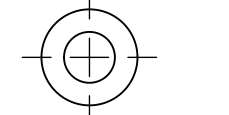
8EA. SCISSOR BEAM STOP BOLTS
4 EA. ROD END, MALE, 1/4



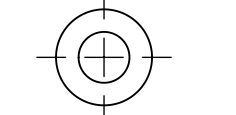
E00-4301 - 14 EA.
AN960-C10 REGULAR
WASHER #10 (3/16)



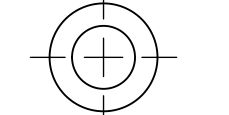
E00-4400 - 16 EA.
AN960-C416L THIN WASHER 1/4



E00-4401 - 20 EA.
WASHER, REGULAR, AN960-C416 1/4

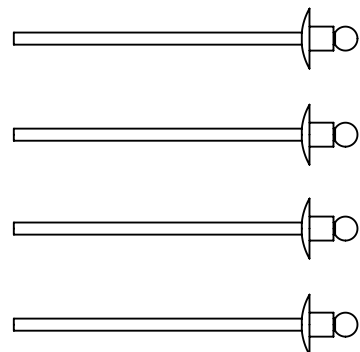


E00-4501 - 2 EA.
AN960-C516 REGULAR WASHER 5/16



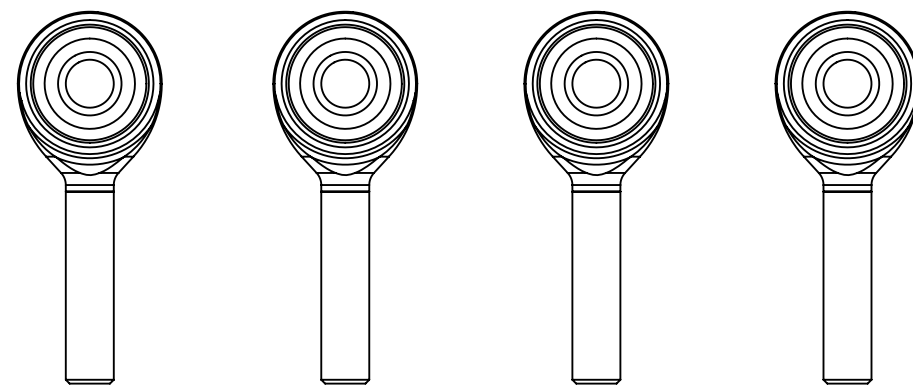
E00-6201 - 4 EA.
RIVET, BLIND 1/8 X 1/8, STEEL

PEDAL SHAFT BRACKET /
ALUMINUM CONTROL BUSHING



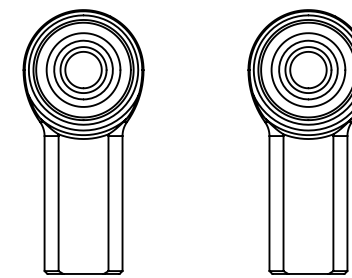
E15-1150 - 4 EA.
MALE ROD END, 1/4

ANTITORQUE PEDALS



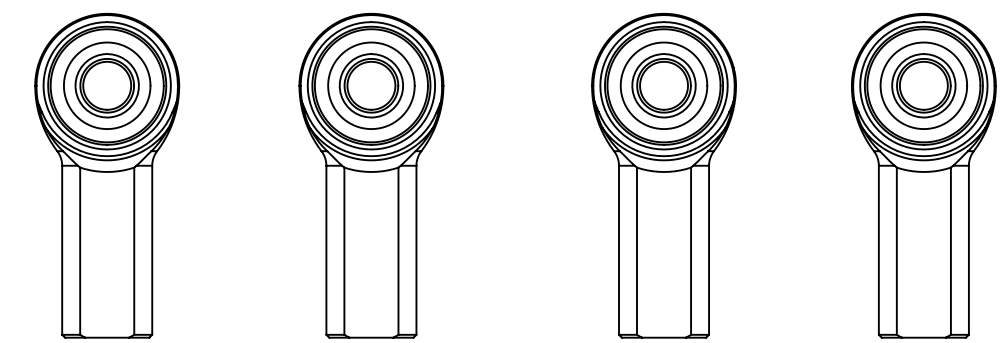
E16-1200 - 2 EA.
ROD END, FEMALE, 3/16

TAIL ROTOR CABLE



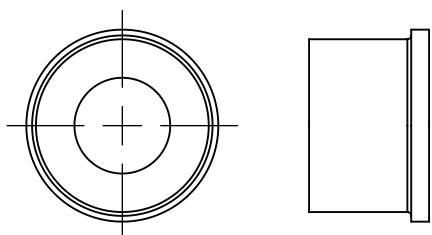
E16-1140 - 4 EA.
ROD END, FEMALE, 1/4

ANTITORQUE PEDALS

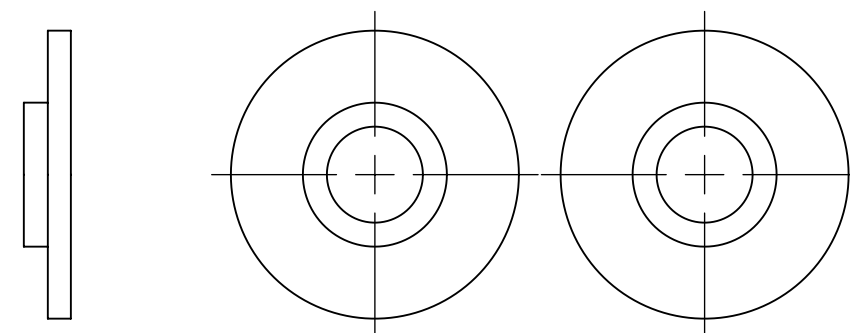


E14-1190 - 2 EA.
BUSHING, CONTROL

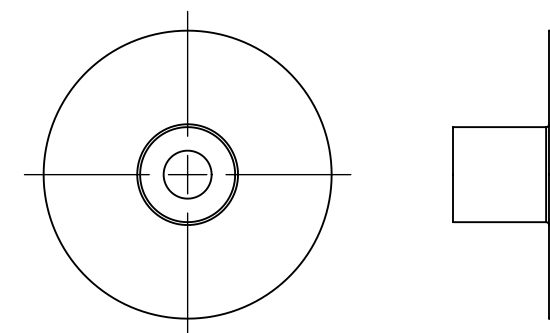
ANTITORQUE CROSS SHAFT



E16-6120 - 4 EA.
BUSHING, SCISSOR BEAM PIVOT, NYLON



E16-6130 - 2 EA.
BUSHING, SCISSORS MT., PITOT MT.



E14-6131 - 2 EA.
BUSHING, CROSS SHAFT

